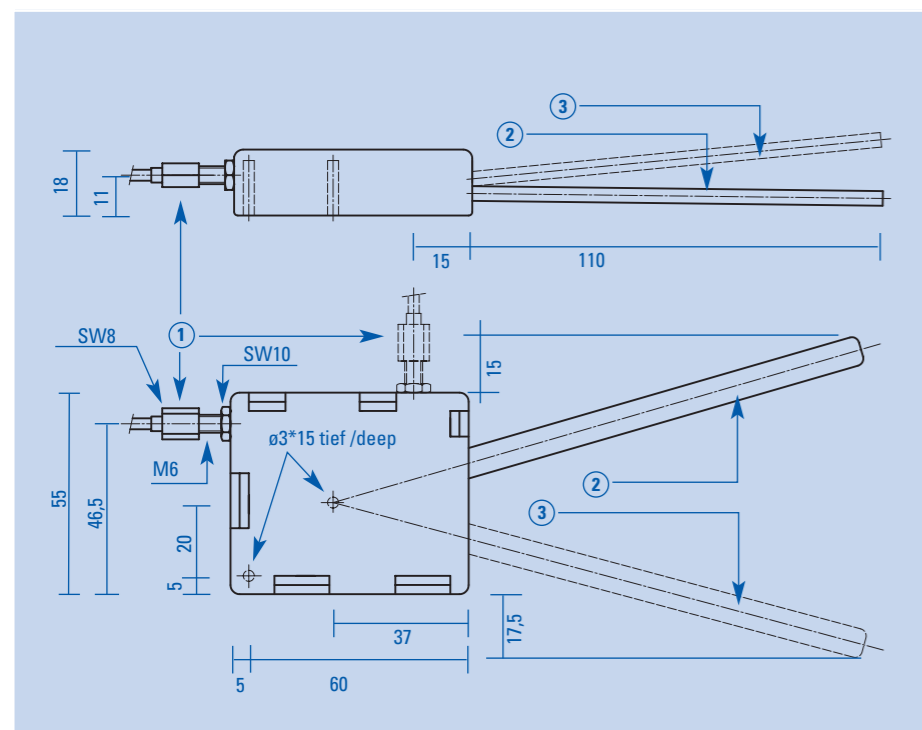


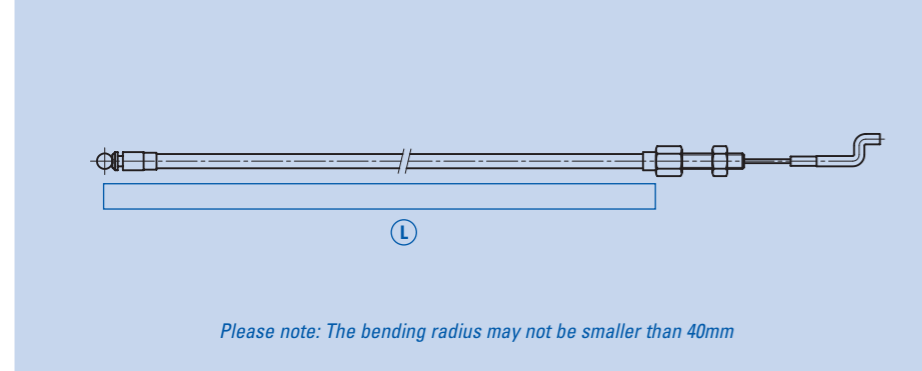


Bowden Wire Release System

Fixed release mechanism



20BAXXMX	
①	bowden wire
②	basic position
③	adjusted lever
for adjusting, short-term releasing and permanent releasing	



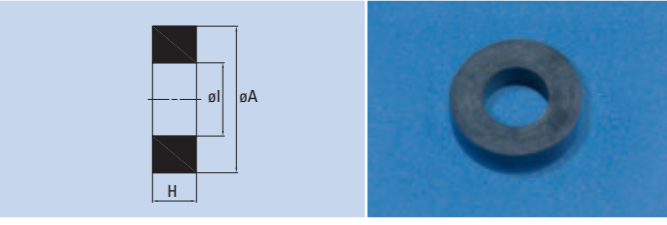
Bowdenwire with Z-hook standard dimensions	
Length (L)	PartNo:
500 mm	20BZ0500HA
750 mm	20BZ0750HA
1000 mm	20BZ1000HA
1250 mm	20BZ1250HA
1500 mm	20BZ1500HA

Release head for bowden wire

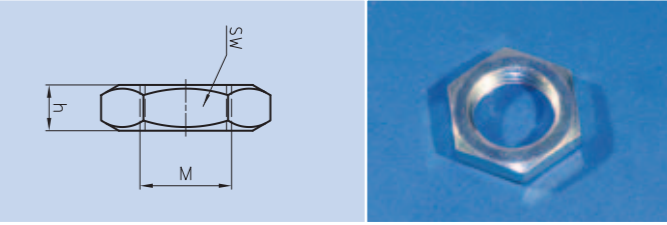
type of construction	max. load inpull direction	A mm	B mm	C mm	D mm	D1 mm	E mm	F mm	G mm	H mm	M1 mm	nut	at screwed depth mm
20AK08M8*1	7.000 N	37	30	38	R8.5	ø8.1-0.05	ø17	SW11	20	38.5	M8*1	SW13	9
20AKXXMX	7.000 N	37	30	40	R8.5	ø10.1-0.05	ø17	SW11	20	38.5	M10*1	SW17	7
20AK10M10*1	12.000 N	54	39	50	R14	ø10.1-0.05	ø21	SW14	26	53	M10*1	SW17	8
20AK12M10*1	12.000 N	54	39	50	R14	ø12.1-0.05	ø21	SW14	26	53	M10*1	SW17	8
20AK12M14*1.5	12.000 N	54	39	50	R14	ø12.1-0.05	ø21	SW14	26	53	M14*1.5	SW19	8
20AK14M14*1.5	12.000 N	54	39	50	R14	ø14.1-0.05	ø21	SW14	26	53	M14*1.5	SW19	8

Accessories

Limit stop cushion				
Code	øI	øA	H	Härte
20AGXXU10*20*680	10	20	6	80 Shore
20AGXXU10*20*690	10	20	6	90 Shore
20AGXXU08*20*680	8	20	6	80 Shore



Nuts for lockable gas springs			
Code	M	SW	h
XXMUM8*1DIN439	M8*1	13	4mm
XXMUM10*1DIN439	M10*1	17	5mm
MUM14*1.5SW19	M14*1,5	19	5mm



20BHXXU40 Bowden wire fastener suitable for release heads with dimension A = 54mm

